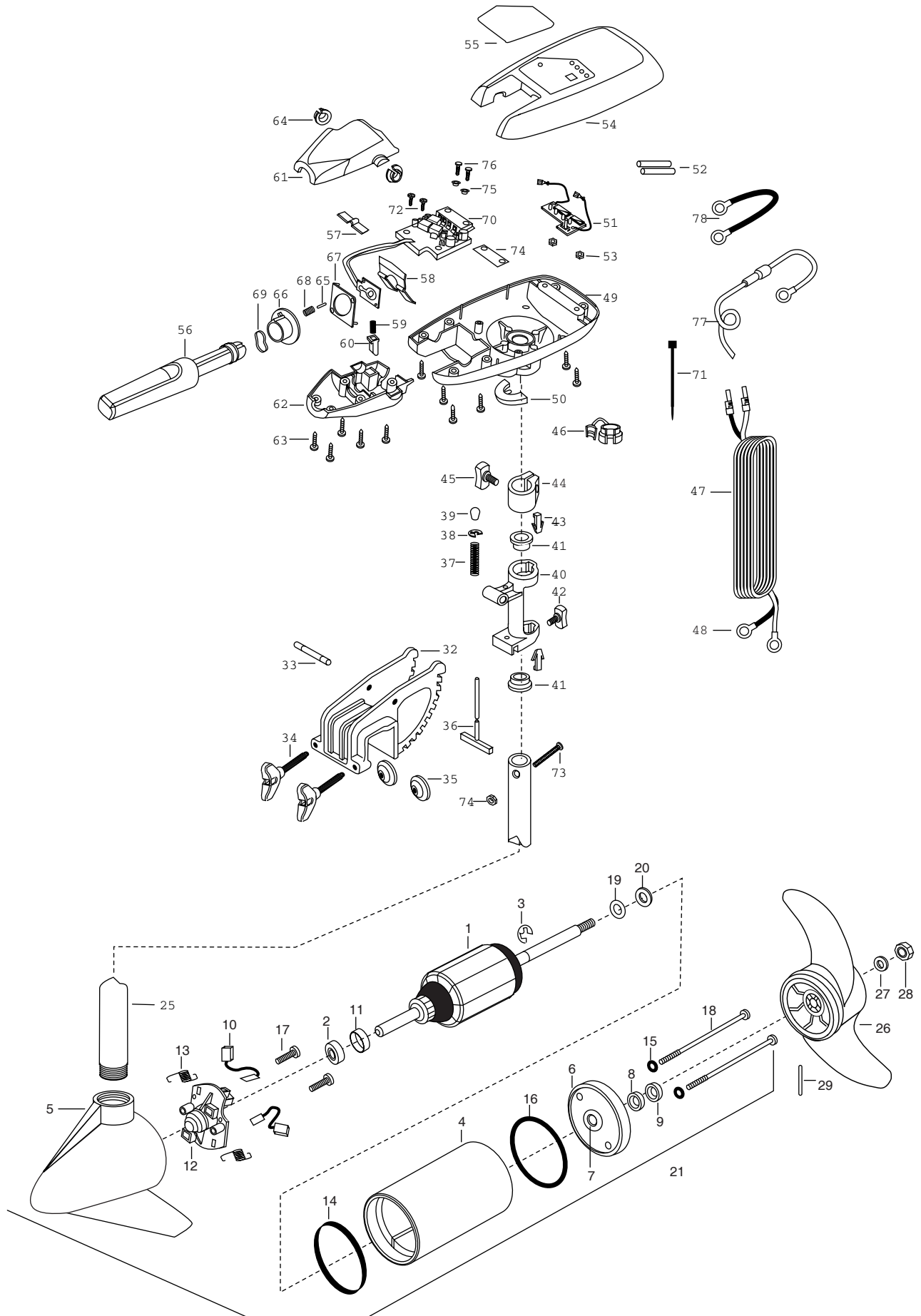


MAXXUM 65/T
MAXXUM 65/BT
65 lbs Thrust
24 Volt 38 Amps
36" or 42" Shaft



1	92-100-009	ARMATURE ASSEMBLY	41	2037301	BUSHING-HINGE [2.EA]
2	140-010	BALL BEARING	42	2011385	SCREW-TENSION/NEW KNOB
3	788-015	RETAINING RING	43	2062800	TENSION BLOCK- "SNAP IN" [2.EA]
4	431-005	CENTER HOUSING ASSEMBLY 3.625 FW TXT	44	2061520	COLLAR-DEPTH
5	421-065	HOUSING BRUSH END 3.62 TXT	45	2011365	SCREW-COLLAR/NEW KNOB
6	2-400-101	PLAIN END HOUSING ASSEMBLY 3.625	46	2052900	STRAIN RELIEF-C.CORD/SP.C
7	144-049	BEARING - FLANGE (SERVICE CENTER ONLY)	47	2090600	LEADWIRE (10 GA) RINGS
8	880-003	**SEAL	48	2020700	TERMINAL RING, 3/8" [2.EA]
9	880-006	**SEAL WITH SHIELD	49	2062585	CONTROL BOX,FW, .725 BORE ZIN
10	188-036	BRUSH ASSEMBLY [2.EA]	50	2061512	COLLAR-CTRL BOX
11	725-050	BRUSH RETENTION- PAPER TUBE	51	2034036	BATTERY GAUGE-24 VOLTS
12	738-036	BRUSH PLATE W/HOLDER	52	2375400	SHRINK TUBE-1/4OD X 1-3/4 [2.EA]
13	975-040	SPRING - TORSION [2.EA]	53	2303120	SPEED NUT [2.EA]
14	337-036	**GASKET	54	2990294	CTRL BOX CVR/DECAL ASSEMBLY
15	701-008	**O-RING, THRU-BOLT [2.EA]	55	2065624	DECAL-COVER MAX65T TRANS
16	701-081	**O-RING		2065625	DECAL-COVER MAX65/BT TRANS
17	830-007	SCREW-8-32 [2.EA]	56	2990914	HANDLE ASSEMBLY W/O U-JOINT
18	830-008	THRU-BOLT 10-32X9.205 [2.EA]	57	2302742	SPRING-DETENT (OFF)
19	990-067	WASHER- STEEL THRUST	58	2302743	SPRING-DETENT HANDLE-TILT
20	990-070	WASHER - NYLATRON	59	2302745	SPRING-RELEASE BUTTON
21	2098030	MOTOR ASSEMBLY 24V F/W 51.5" LDS	60	2303720	RELEASE BUTTON-HANDLE
25	2032057	TUBE (COMPOSITE) 36"	61	2060409	HANDLE (TOP HALF) MAXIMIZE
	2032053	TUBE (COMPOSITE) 42"	62	2060415	HANDLE (LOWER HALF)
■	1378122	PROPELLER- KIT	63	2303412	SCREW-6-20 X 5/8 SELF TAP [11.EA]
26	2091150	PROPELLER W/WEDGE	64	2060005	BEARING-HANDLE PIVOT [2.EA]
27	2151726	WASHER- 5/16 STD SS	65	2302600	PIN-ACTUATOR
28	2053101	NUT-PROP NYLOC 5/16 SS	66	2302850	ACTUATOR-CAM
29	2092600	PIN-DRIVE SS	67	2302851	ACTUATOR-FWD/REV
■	2771960	BRACKET & HINGE ASSEMBLY(FW)	68	2302740	SPRING- ACTUATOR
■	2771901	BRACKET/CLAMP SCREWS/WASHERS INCL.32,334,35	69	2302741	SPRING-CAM ZNC PLTD STEEL
*32	2031931	BRACKET DIE CAST-FW PAINT	70	2194006	CTRL BOARD ASSEMBLY MAX65/HC
33	2010511	PIN-HINGE	71	2256300	TIE WRAP-5.5" BLACK
■	2881300	SCREW-CLAMP, WASHER, RETAINER KIT [2.EA]	72	2372100	SCREW-8-18 X 5/8 THD [2.EA]
*34	2061300	SCREW-CLAMP [2.EA]	73	2383407	SCREW-10-24 X 2 PPH ZINC
*35	2011710	WASHER [2.EA]	74	2383124	NUT-10-24 NYLOCK ZINC PLT
36	2033600	T-BAR	75	2301710	WASHER-INSUL. (TRANSF.BAR) [2.EA]
37	2012700	SPRING- (T-BAR)	76	2301310	SCREW-8-18 X 1/2 SS [2.EA]
38	2013000	E-RING- (PULLEY HOUSING)	77	2060310	CONNECT'GROUND WIRE-FUSED
39	2010100	KNOB-TILT	78	2090620	CONNECTOR CABLE 24 VOLT
40	2031852	HINGE-MACHINED			

**Seal & Oring Kit P/B 2888460 * This item is part of an assembly. This item cannot be sold separately due to machining and /or assembly that is required.

P/N 2034943 REV. D 12-00

MAXXUM 65T & 65BT Wiring Diagram

