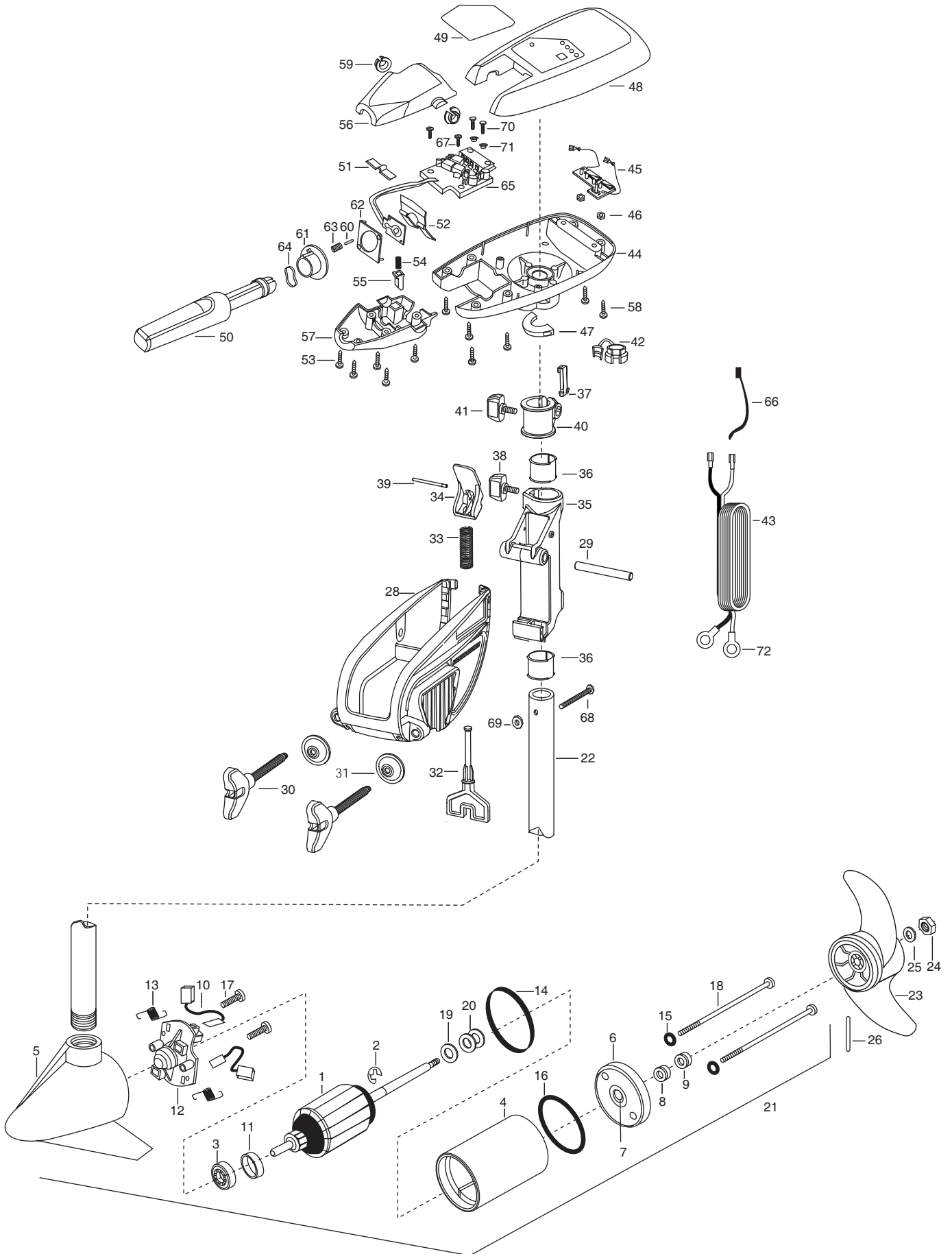


MAXXUM 55T / MAXXUM 55BT

55 LBS. THRUST

12 VOLT 45 AMPS

42" OR 36" SHAFT



| | | | | | |
|-----|------------|--|----|---------|-----------------------------------|
| 1 | 92-100-013 | ARMATURE ASSEMBLY 12V F/W | 36 | 2037301 | BUSHING-HINGE [2.EA] |
| 2 | 788-015 | RETAINING RING | 37 | 2062800 | TENSION BLOCK-SNAP IN |
| 3 | 140-010 | BEARING -BALL | 38 | 2011385 | SCREW, TENSION/KNOB |
| 4 | 431-101 | HOUSING ASSEMBLY CENTER 3.62 | 39 | 2060515 | PIN, TILT LEVER |
| 5 | 421-065 | HOUSING BRUSH END ASSEMBLY 3.62 TXT | 40 | 2061520 | COLLAR-DEPTH |
| 6 | 2-400-101 | PLAIN END HOUSING ASSEMBLY | 41 | 2011365 | SCREW-COLLAR/NEW |
| 7 | 144-049 | FLANGE BEARING (SERVICE ONLY) | 42 | 2052900 | STRAIN RELIEF C CORD/SP.C |
| 8 | 880-003 | **SEAL | 43 | 2090600 | LEADWIRE (10 GA) RINGS |
| 9 | 880-006 | **SEAL W/SHIELD | 44 | 2062585 | CONTROL BOX,FW, .725 BORE, |
| 10 | 188-036 | BRUSH ASSEMBLY | 45 | 2034035 | BATTERY GAUGE-12 VOLTS |
| 11 | 725-050 | PAPER TUBE- BRUSH RETENTION | 46 | 2303120 | SPEED NUT [2.EA] |
| 12 | 738-036 | BRUSH PLATE W/HOLDER | 47 | 2061512 | COLLAR-CTRL BOX (FRS-WTR) |
| 13 | 975-040 | SPRING -TORSION [2.EA] | 48 | 2990294 | CTRL BOX CVR/DECAL ASSEMBLY |
| 14 | 337-036 | **GASKET | 49 | 2065635 | DECAL-COVER MAX 55/T |
| 15 | 701-008 | **O-RING -THRU BOLT [2.EA] | 50 | 2990914 | HANDLE ASSEMBLY W/O U-JOINT |
| 16 | 701-081 | **O-RING | 51 | 2302742 | SPRING-DETENT (OFF) SS |
| 17 | 830-007 | SCREW 8-32X1 [2.EA] | 52 | 2302743 | SPRING-DETENT (HANDLE-TILT |
| 18 | 830-042 | THRU BOLT 10-32X8.83 (2 EA) | 53 | 2303412 | SCREW-6-20 X 5/8 SELF TAP [6.EA] |
| 19 | 990-067 | WASHER -STEEL THRUST | 54 | 2302745 | SPRING-RELEASE BUTTON SS |
| 20 | 990-070 | WASHER -NYLATRON [2.EA] | 55 | 2303720 | RELEASE BUTTON-HANDLE |
| 21 | 2099094 | MOTOR ASSEMBLY -12V 3.625 F/W VARS TXT | 56 | 2060409 | HANDLE (TOP HALF) MAXIMIZE |
| 22 | 2032052 | TUBE (COMPOSITE) 36" | 57 | 2060415 | HANDLE (LOWER HALF) |
| | 2032053 | TUBE (COMPOSITE) 42" | 58 | 2303412 | SCREW-6-20 X 5/8 SELF TAP [5.EA] |
| ■ | 1378122 | PROPELLER KIT | 59 | 2060005 | BEARING-HANDLE PIVOT [2.EA] |
| 23 | 2091150 | PROPELLER- WEEDLESS WEDGE | 60 | 2302600 | PIN-ACTUATOR |
| 24 | 2151726 | WASHER- 5/16 STD SS | 61 | 2302850 | ACTUATOR-CAM |
| 25 | 2053101 | NUT-PROP NYLOC 5/16 SS | 62 | 2302851 | ACTUATOR-FWD/REV |
| 26 | 2092600 | PIN-DRIVE SS | 63 | 2302740 | SPRING- (ACTUATOR) |
| ■ | 2771818 | BRACKET & HINGE ASSEMBLY (INCLUDES- 28—39) | 64 | 2302741 | SPRING-CAM (ZNC PLTD STEEL) |
| ■ | 2771911 | BRACKET ASSEMBLY (INCLUDES- 28,30,31) | 65 | 2334006 | CONTROL BOARD W/O LEAD 12V |
| *28 | 2061910 | BRACKET- PLASTIC | 66 | 2256300 | TIE WRAP-5.5 BLACK |
| 29 | 2060510 | PIN-HINGE | 67 | 2372100 | SCREW-8-18 X 5/8 THD SS [2.EA] |
| ■ | 2881300 | SCREW-CLAMP, WASHER, RETAINER KIT [2.EA] | 68 | 2383407 | SCREW-10-24 X 2 PPH ZINC |
| *30 | 2061300 | SCREW-CLAMP [2.EA] | 69 | 2383124 | NUT-10-24 NYLOCK ZINC |
| *31 | 2011710 | WASHER-CLAMP SCREW [2.EA] | 70 | 2301310 | SCREW-8-18 X 1/2 SS [2.EA] |
| 32 | 2063605 | T-BAR, PLASTIC | 71 | 2301710 | WASHER-INSUL. (TRANSF.BAR) [2.EA] |
| 33 | 2062706 | SPRING- (T-BAR) | 72 | 2020700 | TERMINAL- RING 3/8 [2.EA] |
| 34 | 2067200 | LEVER-TILT (RED | | | |
| 35 | 2061810 | HINGE-PLASTIC | | | |

MAX 55T/BT Wiring Diagram

